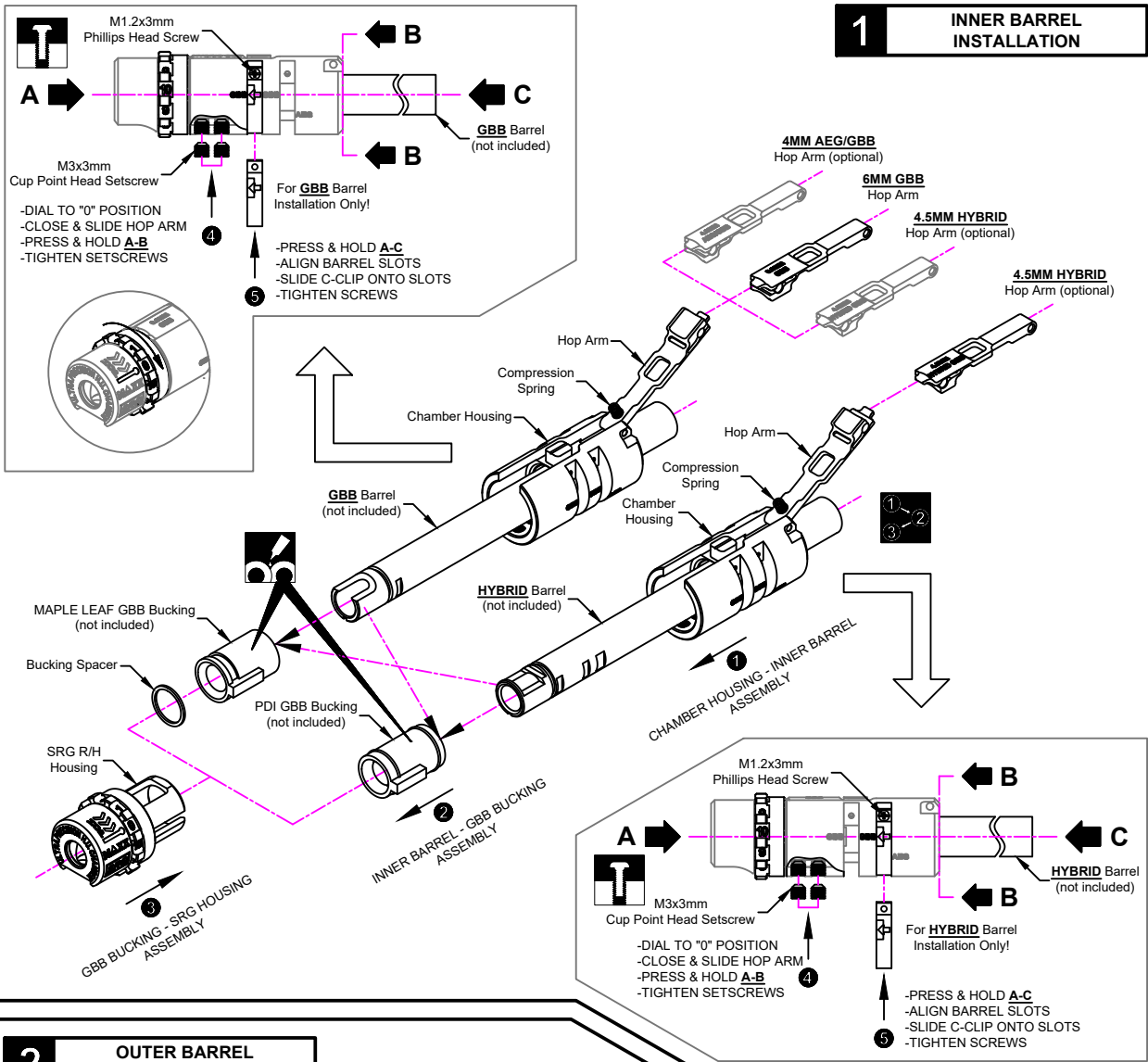


ULTRA PRECISION HOPUP CHAMBER SRG (R/H)

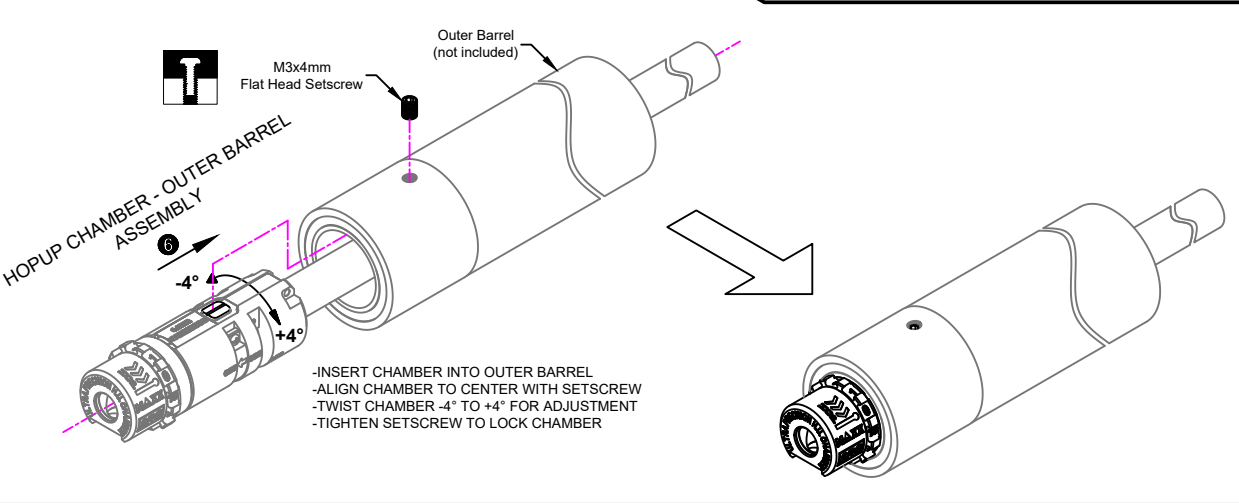
MAXX MODEL PRODUCTS, INC.

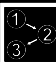


COPYRIGHT © 2019

1 INNER BARREL INSTALLATION



2 OUTER BARREL INSTALLATION



-  Assemble in this order
-  Apply Silicone grease
-  Tighten firmly, do not overtighten

CAUTION: Please check your model carefully before operation!

REV. MX-HOP009SGR-241219-02